



Ray

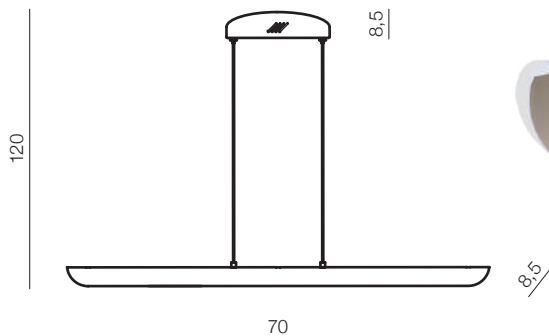
153



1 CHROME



2 SATIN NICKEL



Ray LED

- 1 AZ1695 (chrome)
- 2 AZ1696 (satin nickel)

LED 28W 1740lm 3000K
aluminium IP20